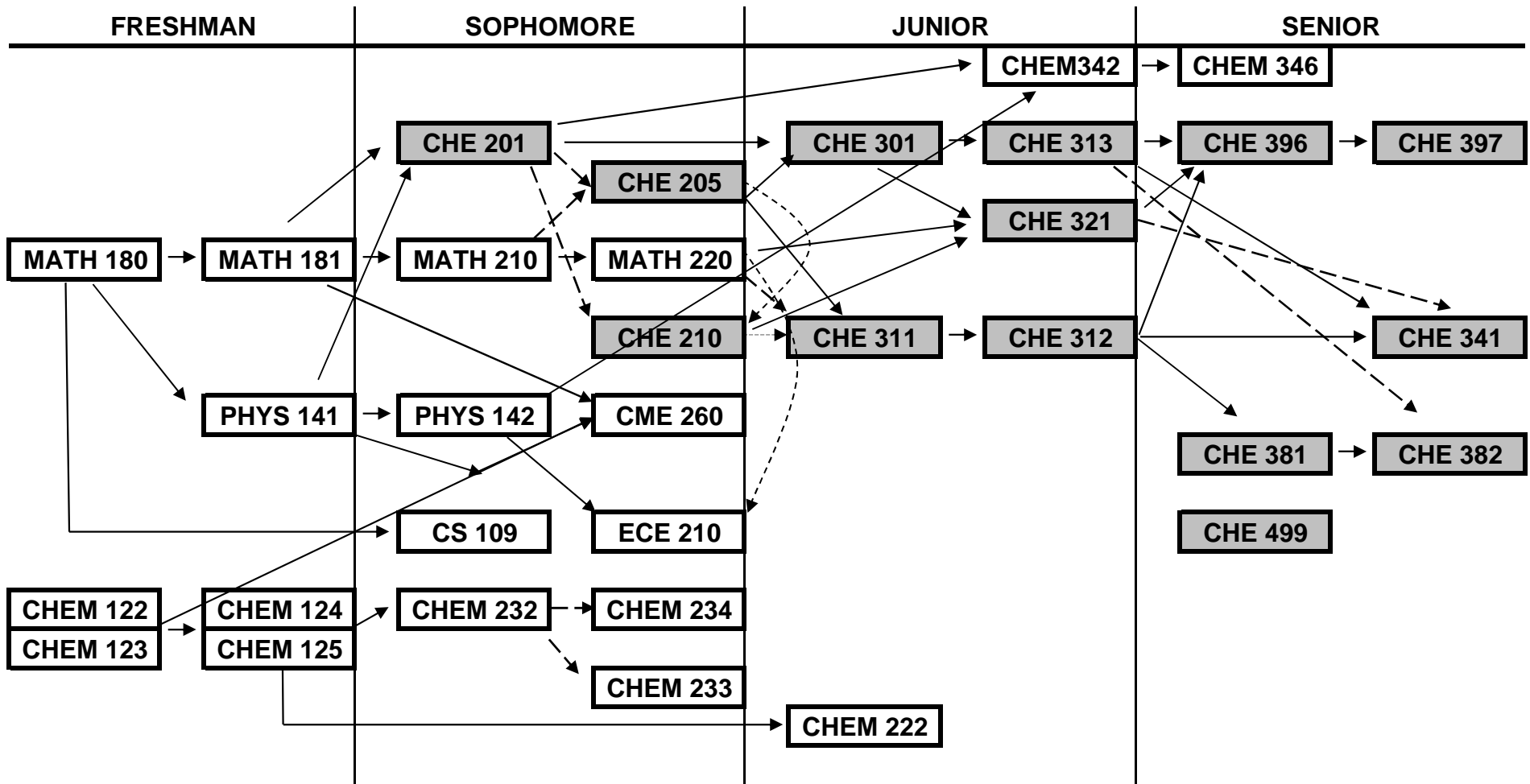


OVERVIEW OF PREREQUISITES FOR CHEMICAL ENGINEERING



CHE 201, 205, 210 offered Fall and Spring semesters
 CHE 301, 311, 381, 396, 499 offered Fall semester only
 CHE 312, 313, 321, 341, 382, 397 offered Spring semester only
 (———>) = Prerequisites
 (- - - - ->) = Concurrent Registration
 [Shaded Box] = Required Chemical Engineering courses