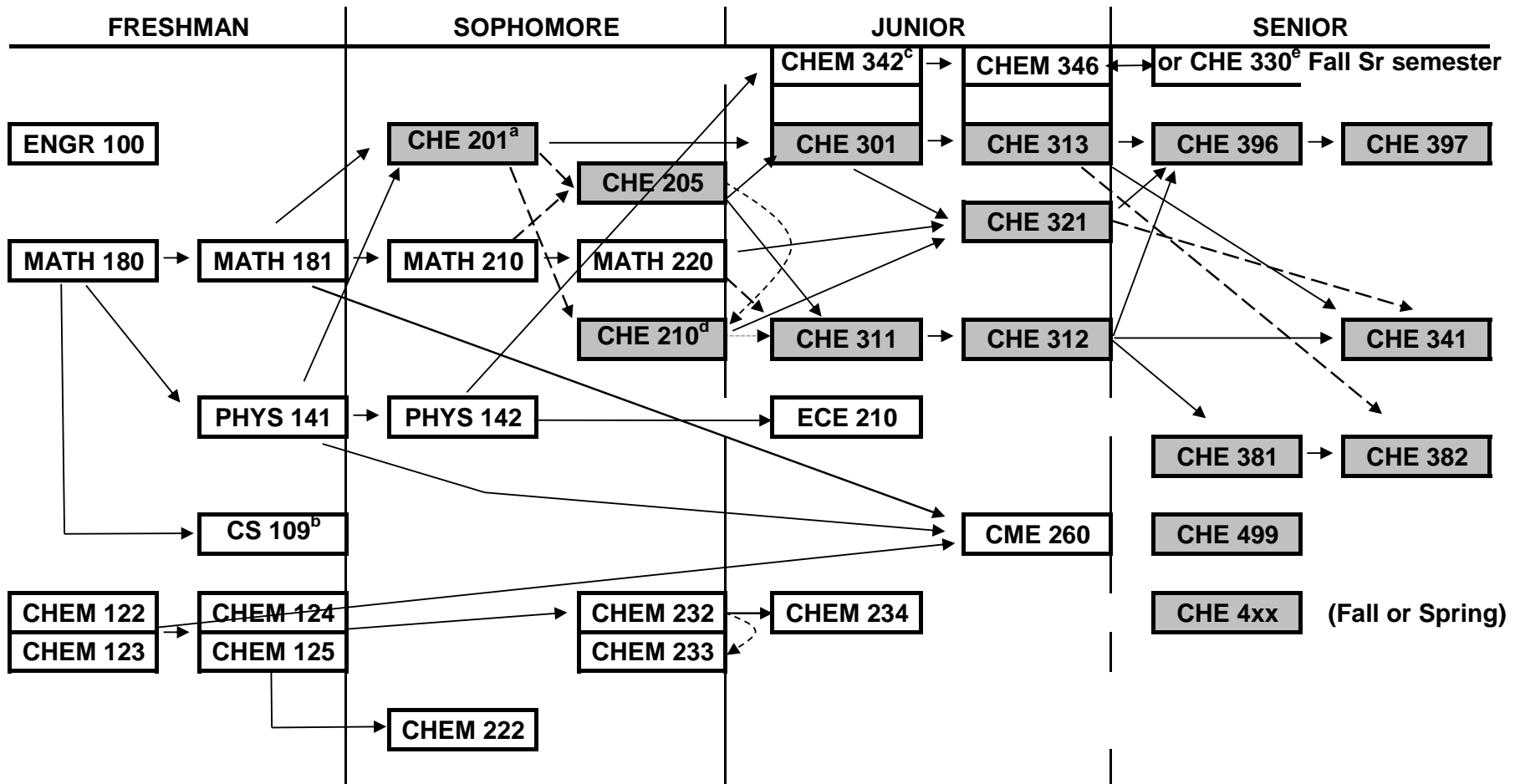


OVERVIEW OF PREREQUISITES FOR CHEMICAL ENGINEERING



CHE 201, 205, 210, 301, 311, 312, 313, 321 offered Fall and Spring semesters

CHE 381, 396, 499 offered Fall semester only

CHE 341, 382, 397 offered Spring semester only

(—>) = Prerequisites

(- - ->) = Concurrent Registration

 = Required Chemical Engineering courses

(a) = Highly Recommended to take CHE 201 before taking CHE 210

(b) = Highly Recommended to take CS 109 before taking CHE 205

(c) = Recommended to take CHEM 342 concurrently with CHE 301

(d) = Recommended to take CHE 210 before taking CHE 311

(e) = CHE 330 can be taken instead of CHEM 346